

Date _____

Plant layout - CS120i - CS150i - CS250i

For Twin Heat only

Order no. _____

Nr. /

Lev.uge

Sign.

ORDER FROM

DELIVERY ADDRESS

Please write delivery address in e-mail

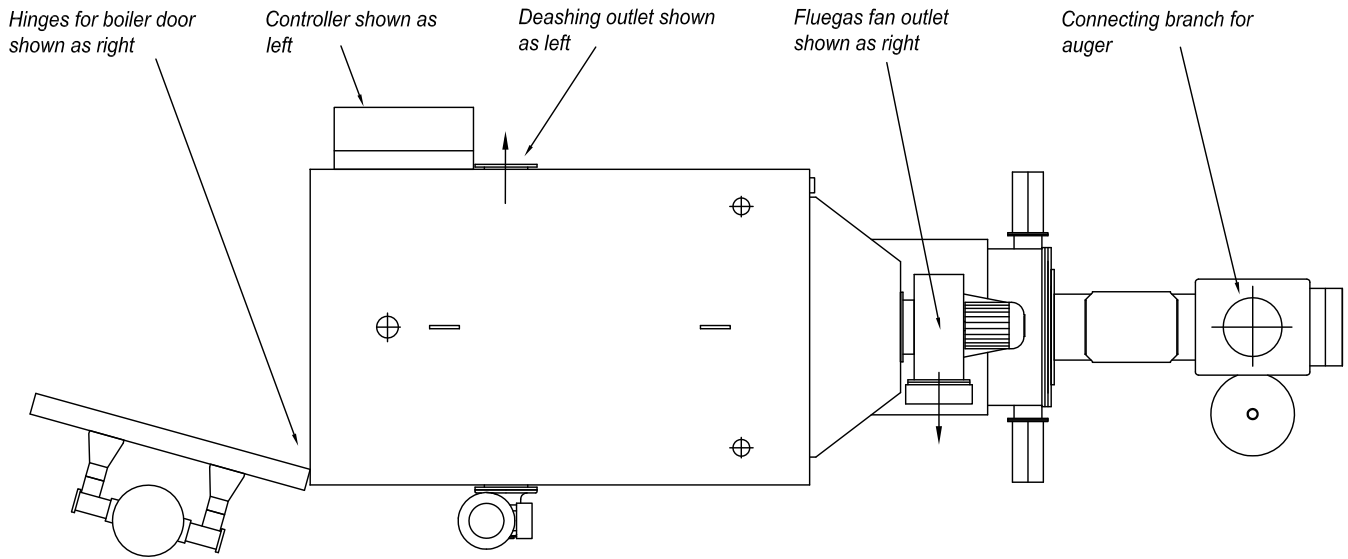
Type: CS120i CS150i CS250i

Deashing Ash transport auger Aut. cleaning system GSM alarm

Accessories: Connection kit for auger 160mm Connection kit for auger 225mm
 Connection kit for auger 180mm Draught stabilizer

Comments:

Please decide which side of boiler the boilerdoor-hinges, cleaning door hinges, controller, deashing outlet and fluegas fan outlet are to be placed and the size of connecting branch for auger.



Left Right

Hinges for cleaning door	<input type="checkbox"/>	<input type="checkbox"/>
Hinges for boiler door	<input type="checkbox"/>	<input type="checkbox"/>
Controller	<input type="checkbox"/>	<input type="checkbox"/>
Deashing outlet	<input type="checkbox"/>	<input type="checkbox"/>
Fluegas fan outlet	<input type="checkbox"/>	<input type="checkbox"/>
Connecting branch for auger	180mm <input type="checkbox"/>	160mm <input type="checkbox"/> 225mm <input type="checkbox"/>