

# SPARE PARTS

---

## Boilers type CS120i – CS150i – CS250i

Version 03.13

Boiler Variant A12 - A15 - A25.....	page 1-2
Burner tube CS120i - CS150i - CS250i .....	page 3
CS stoker .....	page 4-5
Ash auger.....	page 6



**Authorized Dealer:**  
Biomass Systems Supply  
P.O. Box 1835 \* Chico, CA 95927  
Toll Free: 877-474-5521  
Office: 530-893-2444  
[www.biomasssystemssupply.com](http://www.biomasssystemssupply.com)

# Spare parts



## Boiler Variant A12 – A15 – A25

Boilers sold from 2006 onwards

Page: 1:6

March 2013

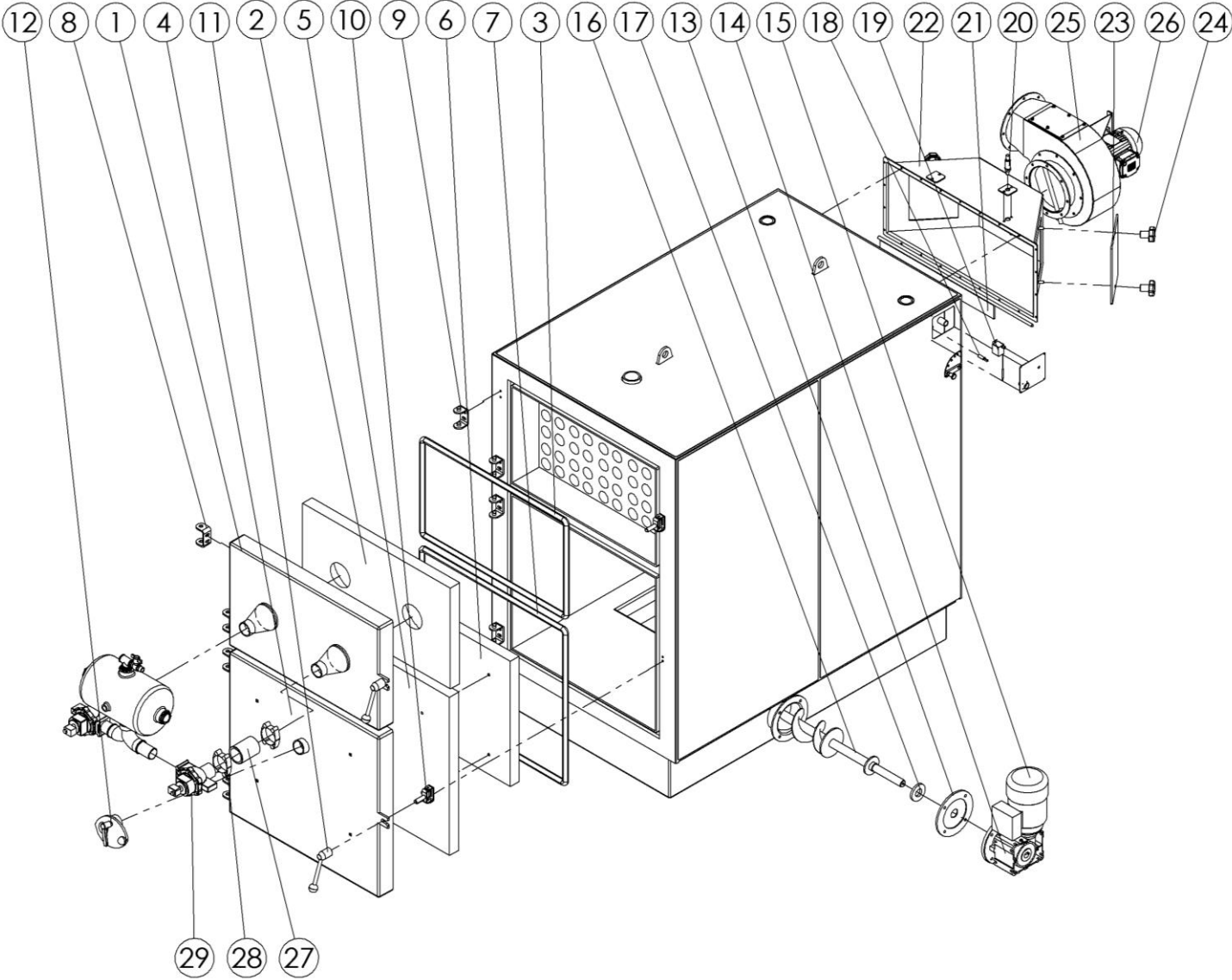
Pos.	Part no. A12	Part no. A15	Part no. A25	Pcs.	Description
1	3010142-00	3215294-00	3215294-00	1	Complete cleaning door for aut. cleaning
1	3010136-00	3215302-00	3215302-00	1	Complete cleaning door
2	3010312-00	3215322-00	3215322-00	1	Insulation for cleaning door for aut. cleaning
2	3010310-00	3215320-00	3215320-00	1	Insulation for cleaning door
3	3010322-00	3215330-00	3215330-00	1	Glass gasket for cleaning door
4	3010130-00	3215280-00	3300190-00	1	Complete boiler door
5	3010300-00	3215324-00	3300200-00	1	Insulation for boiler door
6	3010302-00	3215710-00	3300660-00	1	Insulation additional plate (mounted by bolts)
6	-	3215711-00	3215711-00	1	Insulation additional plate (mounted in U- profile)
7	3010320-00	3215331-00	3300188-00	1	Glass gasket boiler door
8	3215306-00	3215306-00	3215306-00	4	Hinge door part
9	3215305-00	3215305-00	3215305-00	4	Hinge boiler part
10	3215250-00	3215250-00	3215250-00	2	Complete handle
11	5400030-00	5400030-00	5400030-00	2	Tightening handle
12	3008550-00	3008550-00	3008550-00	1	Complete inspection glass
-	5400035-00	5400035-00	5400035-00	1	Tightening handle for inspection glass
13	3002400-00	3002400-00	3002400-00	1	Flange for gear motor ash ejector
14	4000232-00	4000232-00	4000232-00	1	Gear motor for ash ejector
15	4000104-00	4000104-00	4000104-00	1	Electrical motor for gear motor ash ejector
16	*3300050-00	*3300050-00	*3300050-00	1	Ash auger
17	1005350-00	1005350-00	1005350-00	1	Bronze bearing for ash auger
18	4001125-00	4001125-00	4001125-00	1	Sensor water temperature
19	4001150-00	4001150-00	4001150-00	1	Overheat thermostat
20	4001094-00	4001094-00	4001094-00	1	Oxygen sensor (Lambda probe)
21	3010126-00	3215230-00	3215230-00	1	Bypass valve
22	3010110-00	3215698-00	3215698-00	1	Complete flue box
23	3010120-00	3215690-00	3215690-00	2	Cover for cleanout hole in flue box
24	5400020-00	5400020-00	5400020-00	2	Tightening handle for cover
25	4001508-00	4001510-00	4001510-00	1	Complete flue gas fan
26	4001516-00	4001514-00	4001514-00	1	Electrical motor for flue gas fan
27				2	Rubber hose
28				4	Hose clamp
29	0999012-00	0999012-00	0999012-00	2	Blaster valve complete
-	0999042-00	0999042-00	0999042-00	-	Repair kit for blaster valve
-	6001010-00	6001010-00	6001010-00	-	Cleaning brush (Standard)
-	6001008-00	6001008-00	6001008-00	-	Cleaning brush (Enhanced)

\* When ordering an ash auger please state the length of the auger

# Spare parts

## Boiler Variant A12 – A15 – A25

Boilers sold from 2006 onwards

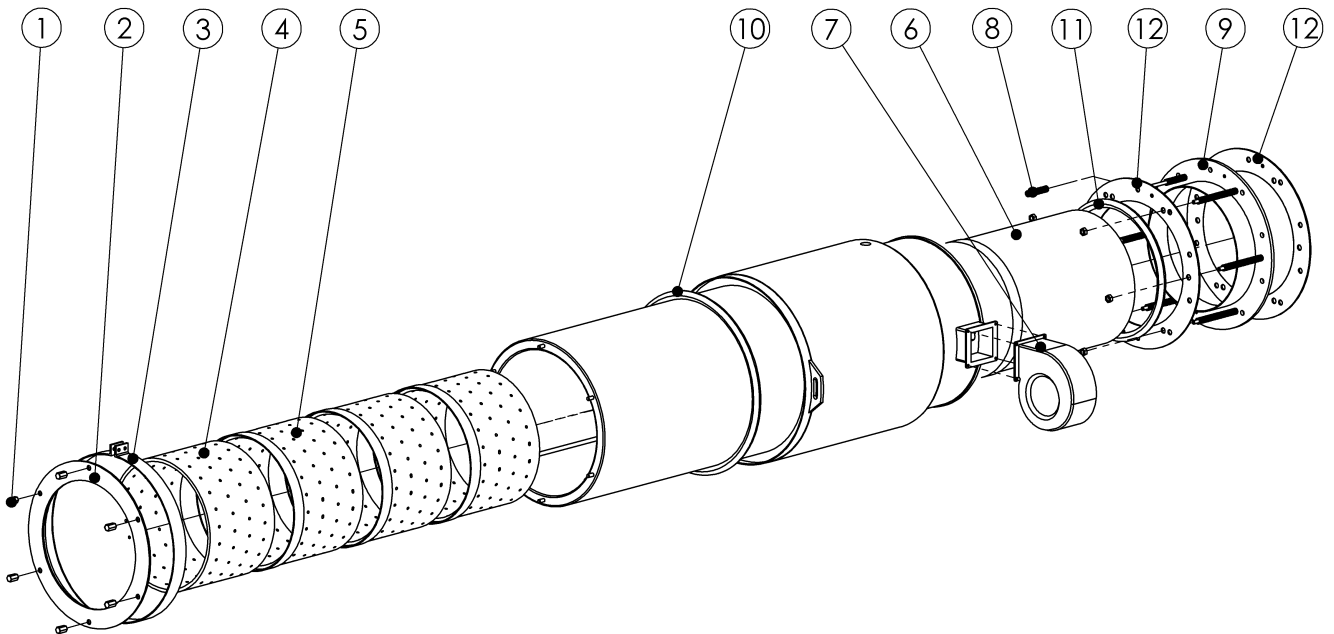


# Spare parts

## Burner tube CS120i – CS150i – CS250i

Pos.	Part no. CS120i	Part no. CS150i	Part no. CS250i	Pcs.	Description
1	2002075-00	2002075-00	2002075-00	6	Top nut
2	2201225-00	2201524-00	2202525-00	1	Front flange
3	-	2201590-00	2202526-00	1	Sealing belt
4	2201220-00	2201504-00	2202501-00	1	Combustion ring with holes
5	2201215-00	2201502-00	2202502-00	3*	Combustion ring with holes and assembly ring
6	2201210-00	2201503-00	2202503-00	1	Combustion ring without holes
7	4000140-00	4000140-00	4000160-00	1-2	Fan
8	2001030-00	2001030-00	2001030-00	12	Spring
9	2201255-00	2201534-00	2202533-00	1	Rear flange
10	2201268-00	2201548-00	2202512-00	1	Gasket
11	2201275-00	2201550-00	2202514-00	1	Gasket
12	2201270-00	6100171-01	6100175-01	2	Gasket
-	6000740-00	6000740-00	6000740-00	1	Circulation pump Alpha 2
-	6000790-00	6000790-00	6000790-00	2	Hose 1" x 500mm
-	6000450-00	6000450-00	6000450-00	1	Valve for safety heat exchanger (sprinkler valve)

\*CS120i only has 2 pcs. Combustion ring with holes and assembly ring



# Spare parts

**TWINHEAT**®

## CS stoker new type 150 Sold from 2007 onwards

Page: 4:6

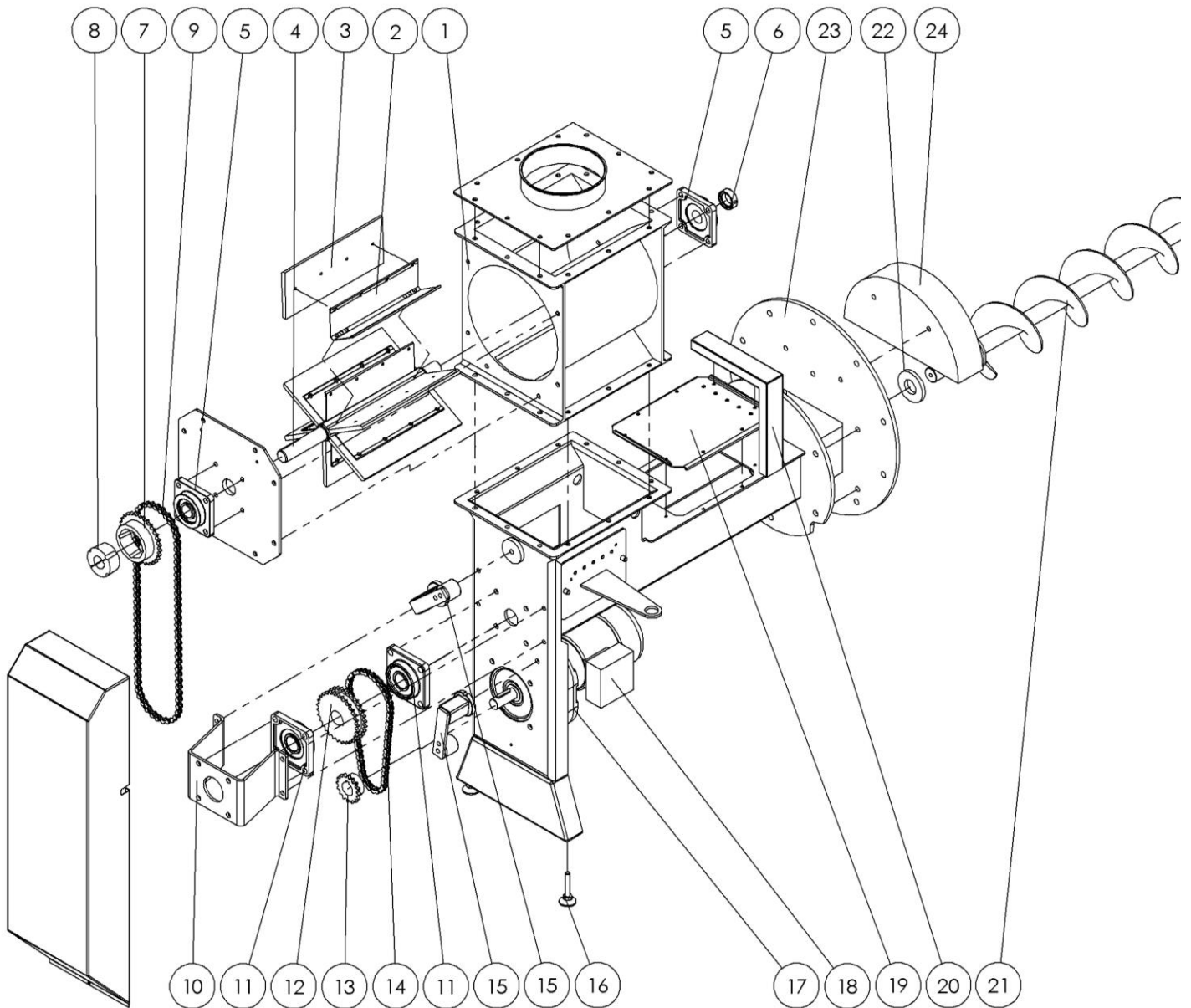
March 2013

Pos.	Part no. CS120i	Part no. CS150i	Part no. CS250i	Pcs.	Description
1	0998902-00	0998902-00	0998902-00	1	Housing for rotating valve
2	1500102-00	1500102-00	1500102-00	5	Angled plate for rotating valve
3	0999003-00	0999003-00	0999003-00	6	Rubber for rotating valve
4	0999002-00	0999002-00	0999002-00	1	Shaft for rotating valve
5	7000106-00	7000106-00	7000106-00	2	Flange bearing for rotating valve
6	*	*	*	1	Tightening ring for flange bearing
7	7000305-00	7000305-00	7000305-00	1	Chain wheel for rotating valve
8	7000310-00	7000310-00	7000310-00	1	Taperlock bush
9	7000111-00	7000111-00	7000111-00	1	Chain for rotating valve 95 links
10	1400094-00	1400094-00	1400094-00	1	Bearing bracket
11	7000126-00	7000126-00	7000126-00	2	Flange bearing for auger
12	7000307-00	7000307-00	7000307-00	1	Chain wheel for auger
13	7000101-00	7000101-00	7000101-00	1	Chain wheel for gear motor
14	7000098-00	7000098-00	7000098-00	1	Chain for auger 95 links
15	7000140-00	7000140-00	7000140-00	2	Chain tightener, internal
-	7000135-00	7000135-00	7000135-00	2	Roll for chain tightener
16	6203001-00	6203001-00	6203001-00	2	Adjusting screw
17	4000100-00	4000100-00	4000100-00	1	Complete gear motor
18	4000105-00	4000105-00	4000105-00	1	Electrical motor for gear motor
19	1400075-00	1400075-00	1400075-00	1	Sprinkler plate
20	1400095-00	1400095-00	1400095-00	1	Air inlet
21	1478002-00	1478000-00	1478000-00	1	Auger
22	1005350-00	1005350-00	1005350-00	1	Bronze bearing
23	2201266-00	1200010-00	1200020-00	1	Adapter flange
24	-	6108277-00	6108279-00	1	Insulation half moon
-	6000450-00	6000450-00	6000450-00	1	Sprinkler valve
-	6000435-00	6000435-00	6000435-00	1	Pressure tank 24 lt. for sprinkler
-	6100160-00	6100160-00	6100160-00	1	Gasket for aluminium block
-	7000113-00	7000113-00	7000113-00	2	Key 8x7x30 for chain wheel rotating valve
-	7000114-00	7000114-00	7000114-00	1	Key10x8x35 for chain wheel auger
-	7000103-00	7000103-00	7000103-00	2	Chain connection link

\*Part of 7000106-00 Flange bearing for rotating valve

# Spare parts

## CS stoker new type 150 Sold from 2007 onwards



# Spare parts

## Ash auger

Pos.	Part no.	Pcs.	Description
1	4000086-00	1	Electrical motor for gear motor
2	4000260-00	1	Complete gear motor
3	7000250-00	1	Clutch hub for gear motor
4	7000252-00	1	Clutch hub for auger
5	7000254-00	1	Element for clutch
6	7000112-00	2	Flange bearing
7	1005350-00	1	Bronze bearing
8	*	1	Auger

\* When ordering an ash auger please state length of auger tube, including flanges in both ends.

